

Modular Outdoor-System-Housing for Panasonic AW-UE150, AW-HE120/130 Camera-Series.

Protection Class IP 64
Temperature range :

Standard version -20°C to +40°C
Advanced version -40°C to +60°C



AW-UE150K

+



AW-HE120/130

KST-OH150 outdoor System V1.0 for AW-UE150/HE120/130

Modular outdoor housing for Panasonic AW-UE150 or AW-HE120/130 Camera Systems, including heating- and ventilation-system, Protection Class IP64.

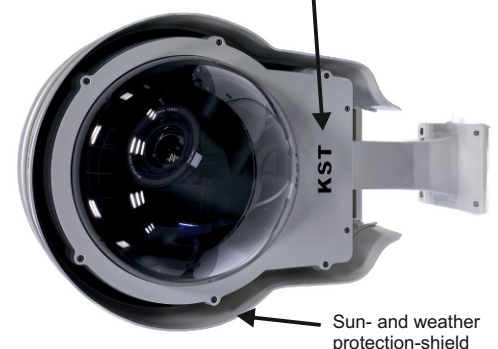
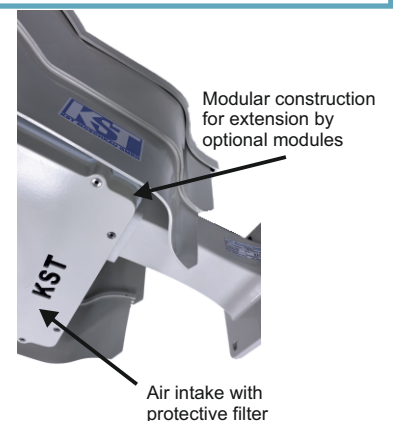
- ▶ Protection Class IP64 standard
- ▶ Keeps camera-, lens- and P/T system clean and dry
- ▶ Temperature range between -20°C and +40°C assured by active heating and ventilation
- ▶ Expanded temperature range between -40°C and +60°C by additional, enhanced heating and ventilation
- ▶ Maximum protection against environmental influences such as dust, smog, salt, moisture and insects
- ▶ Air- in- and out-take protected by dust- and insect-filter
- ▶ Available in configurations with HD SDI and HDMI output, IP streaming and POE supply of camera module and system temperature conditioning
- ▶ Power-connection : 230 VAC, alt. 12 VDC or POE
- ▶ Signal-connection : SDI/HDSDI out (or HDMI), optional CVBS out, Genlock in, LAN
- ▶ Remote-connection : LAN, optional RS422
- ▶ Length of the cable-set : 2,5 m from mountingbase (optional special lengths, connectors in bracket or junction boxes for outdoor installation)

OPTIONS :

- ▶ Wall bracket fitted with ceiling, pole mount or special mounts if requested (Page 2)
- ▶ Integrated Fibre Transmission

Limitations :

- ▶ The system is designed for use from an elevated mounting situation. Horizontal viewing angles over ~ -10° to 0° are restricted by the system if the camera is used in a wide angle shot.
- ▶ Depending on the camera type, there may be restrictions on the maximum zoom usage, also the Focus-Function could be influenced by the glass-dome.



Modular construction for extension by optional modules (for example, fiber optic Transm. or POE-Splitter)



Types with wall-mount :



Housing with OHWM-1 wall-mount

KST-OH150WM-S
EU 2895,-

Outdoor-Housing for AW-UE150/HE120/130 PTZ-Cameras incl. KST-OHWM-1 wall-mount

- Camera-Housing protection class IP64 standard
- Active heating and ventilation
- Air- In and Out-let protected by dust- and insect-filter
- 12V DC power supply
- 2,5m cable-set (SDI, Ref., Lan, 240VAC)

KST-OH150WM-H
EU 2895,-

Outdoor-Housing for AW-UE150/HE120/130 PTZ-Cameras incl. KST-OHWM-1 wall-mount

- Camera-Housing protection class IP64 standard
- Active heating and ventilation
- Air- In and Out-let protected by dust- and insect-filter
- 12V DC power supply
- 2,5m cable-set (HDMI, Lan, 240VAC)

KST-OH150WM-POE
EU 3250,-

Outdoor-Housing for AW-UE150/HE120/130 PTZ-Cameras incl. KST-OHWM-1 wall-mount

- Camera-Housing protection class IP64 standard
- Active heating and ventilation
- Air- In and Out-let protected by dust- and insect-filter
- POE injector/splitter 90W
- 2,5m cable-set (SDI, Ref., POE-Lan, 240VAC)

KST-OH150WM-F
EU 4000,-

Outdoor-Housing for AW-UE150/HE120/130 PTZ-Cameras incl. KST-OHWM-1 wall-mount

- Camera-Housing protection class IP64 standard
- Active heating and ventilation
- Air- In and Out-let protected by dust- and insect-filter
- 12V DC power supply
- 4k HDMI Fibre-Extender-Transmitter and Receiver
- 2,5m cable-set (SC multimode Fibre, Ref., Lan, 240VAC)

Types with ceiling-mount :



Housing with OHCM-1 ceiling-mount

KST-OH150CM-S
EU 2965,-

Outdoor-Housing for AW-UE150/HE120/130 PTZ-Cameras incl. KST-OHCM-1 ceiling-mount

- Camera-Housing protection class IP64 standard
- Active heating and ventilation
- Air- In and Out-let protected by dust- and insect-filter
- 12V DC power supply
- 2,5m cable-set (SDI, Ref., Lan, 240VAC)

KST-OH150CM-H
EU 2965,-

Outdoor-Housing for AW-UE150/HE120/130 PTZ-Cameras incl. KST-OHCM-1 ceiling-mount

- Camera-Housing protection class IP64 standard
- Active heating and ventilation
- Air- In and Out-let protected by dust- and insect-filter
- 12V DC power supply
- 2,5m cable-set (HDMI, Lan, 240VAC)

KST-OH150CM-POE
EU 3322,-

Outdoor-Housing for AW-UE150/HE120/130 PTZ-Cameras incl. KST-OHCM-1 ceiling-mount

- Camera-Housing protection class IP64 standard
- Active heating and ventilation
- Air- In and Out-let protected by dust- and insect-filter
- POE injector/splitter 90W
- 2,5m cable-set (SDI, Ref., POE-Lan, 240VAC)

KST-OH150CM-F
EU 4072,-

Outdoor-Housing for AW-UE150/HE120/130 PTZ-Cameras incl. KST-OHCM-1 ceiling-mount

- Camera-Housing protection class IP64 standard
- Active heating and ventilation
- Air- In and Out-let protected by dust- and insect-filter
- 12V DC power supply
- 4k HDMI Fibre-Extender-Transmitter and Receiver
- 2,5m cable-set (SC multimode Fibre, Ref., Lan, 240VAC)

Mounting Options

Standard- Wallmount KST-OHWM-1 EU 500,-

The wall mount DBH06, made of stainless steel, serves as a base for special mounting adapters shown below. The connecting cables of the camera system are hidden and protected by the arm.

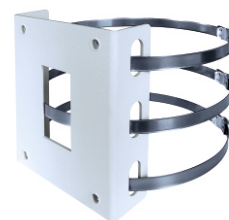
Load capacity up to 25kg



Pole-Mount-Adapter KST-DBHWGC EU 94,-

The pole mount adapter DBHWGC is combined with the wall bracket DBH06. It allows the installation of the system on poles with diameters of 210mm-225mm.

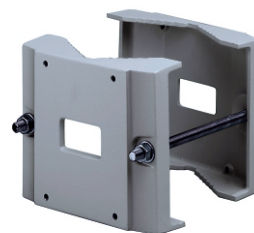
Load capacity up to 25kg



Pole-Mount-Adapter KST-PTCC1 EU 112,-

The pole mount adapter PTC1 is combined with the wall bracket DBH06. It allows the installation of this system on poles with diameters of 80mm-150mm. It is possible to mount 2 DBH06 opposite.

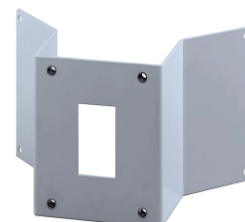
Load capacity up to 50kg



Edge-Mount-Adapter KST-WCWGC EU 85,-

The corner mounting adapter WCWGC is combined with the wall bracket DBH06. It allows the installation of the system on building corners.

Load capacity up to 50kg



Ceiling-Mount KST-DBH07 EU 527,-

The ceiling mount DBH07, made of stainless steel, can be mounted under eaves, canopies or similar horizontal mounting locations. It is an alternative to the standard wall mount OHWM-1. The connecting cables of the camera system are hidden and protected by the arm.

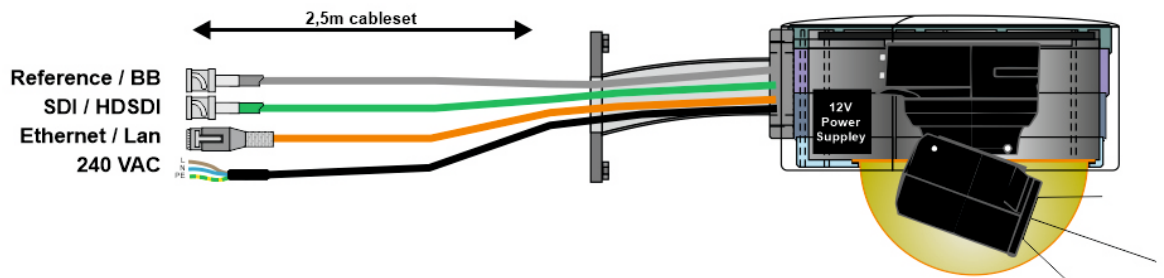
Load capacity up to 25kg



Anschluss Versionen

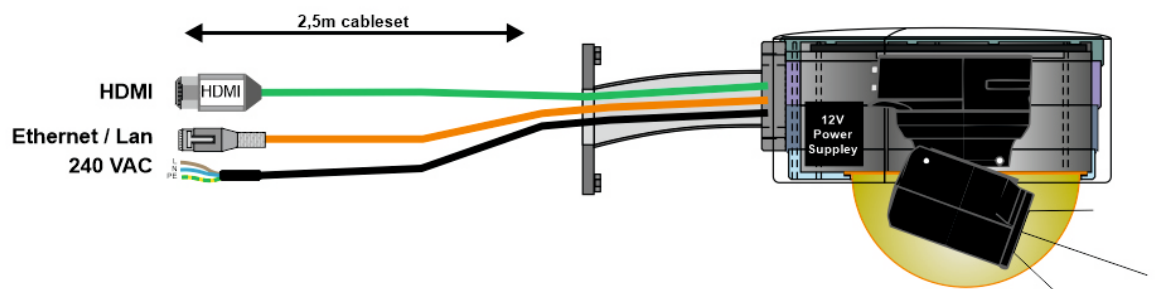
KST-OH150(W/C)M-S

Version with SDI, Ref, Ethernet and 240VAC connection



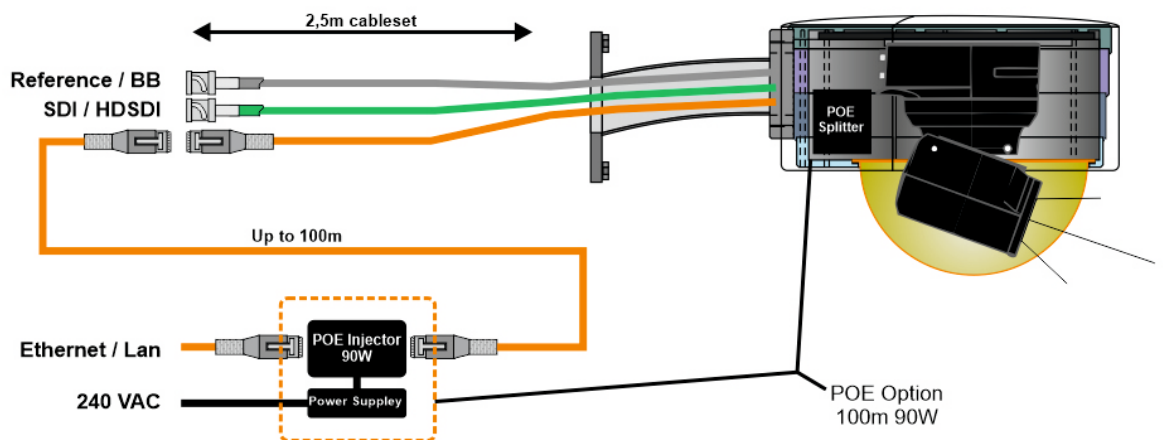
KST-OH150(W/C)M-H

Version with HDMI, Ethernet and 240VAC connection



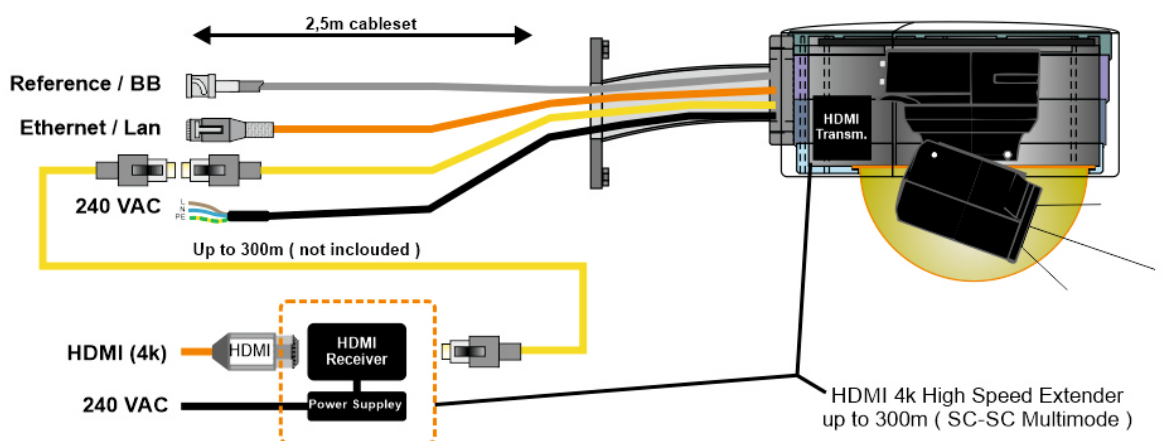
KST-OH150(W/C)M-POE

Version with POE (Line) Ethernet, SDI and Ref connection



KST-OH150W(C)M-F

Version with 4k-HDMI-Fibre-Ext., Ethernet, and Ref connection

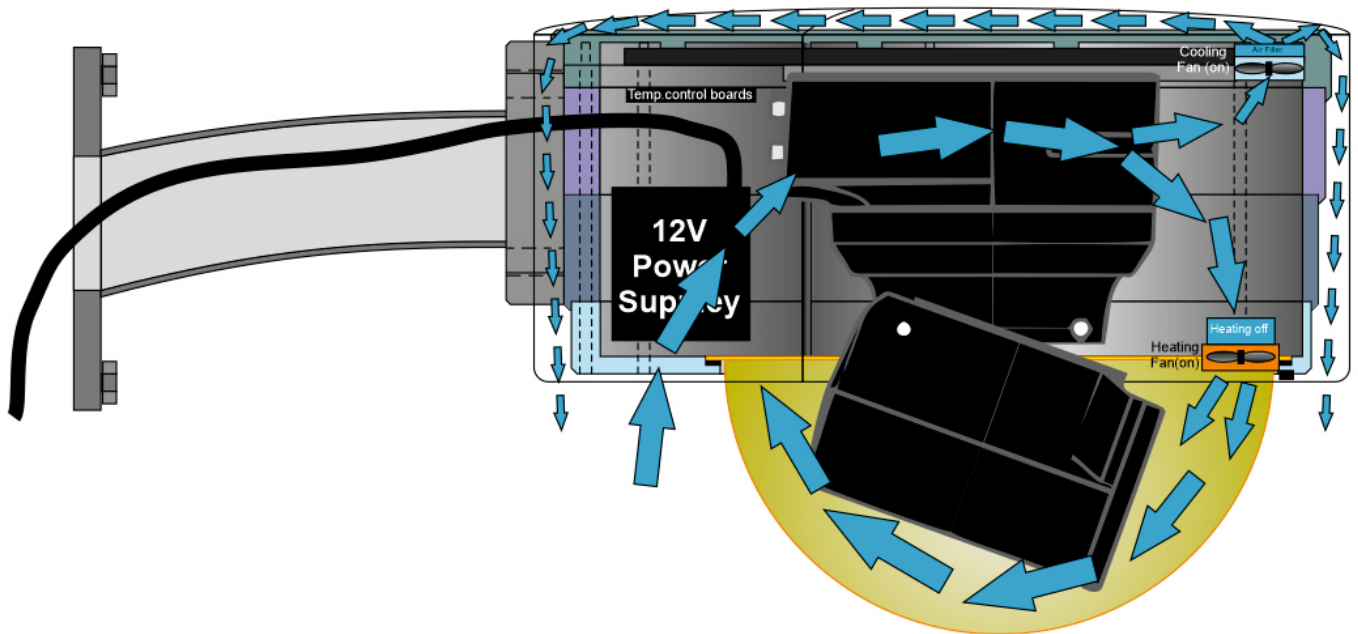


Technische Ansichten

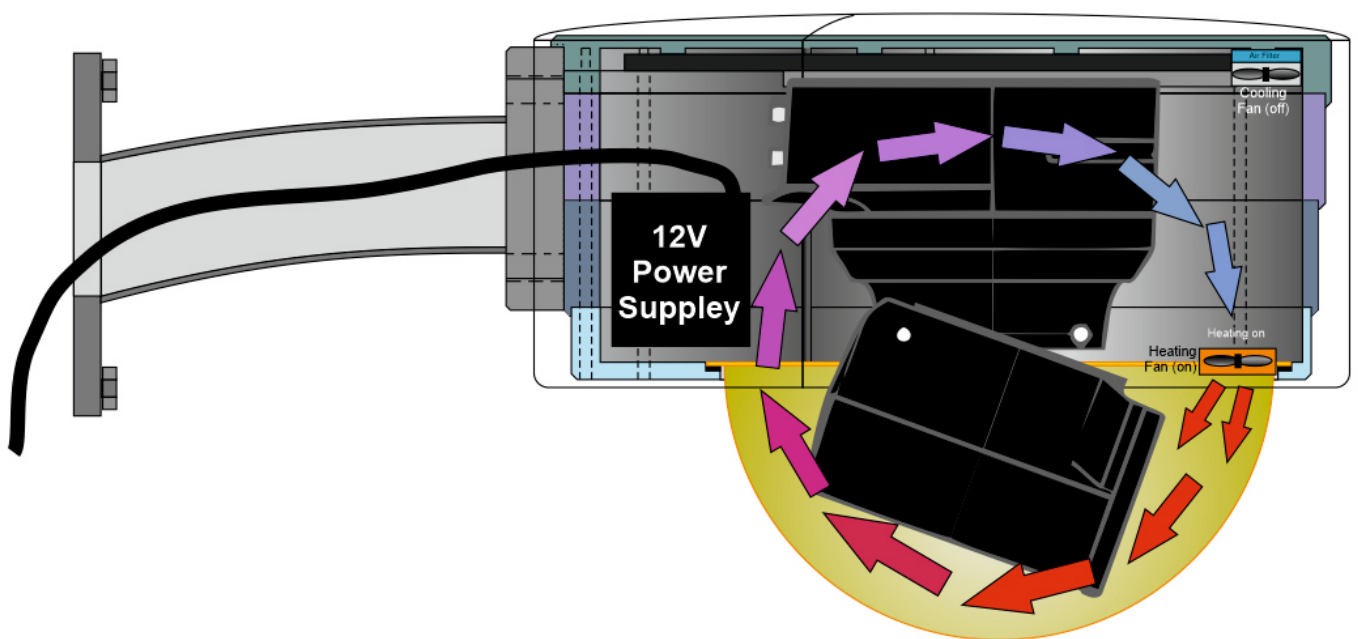


Ventilation situations

Cooling situation (starting $\sim 21^{\circ}\text{C}$ internal system temperature)

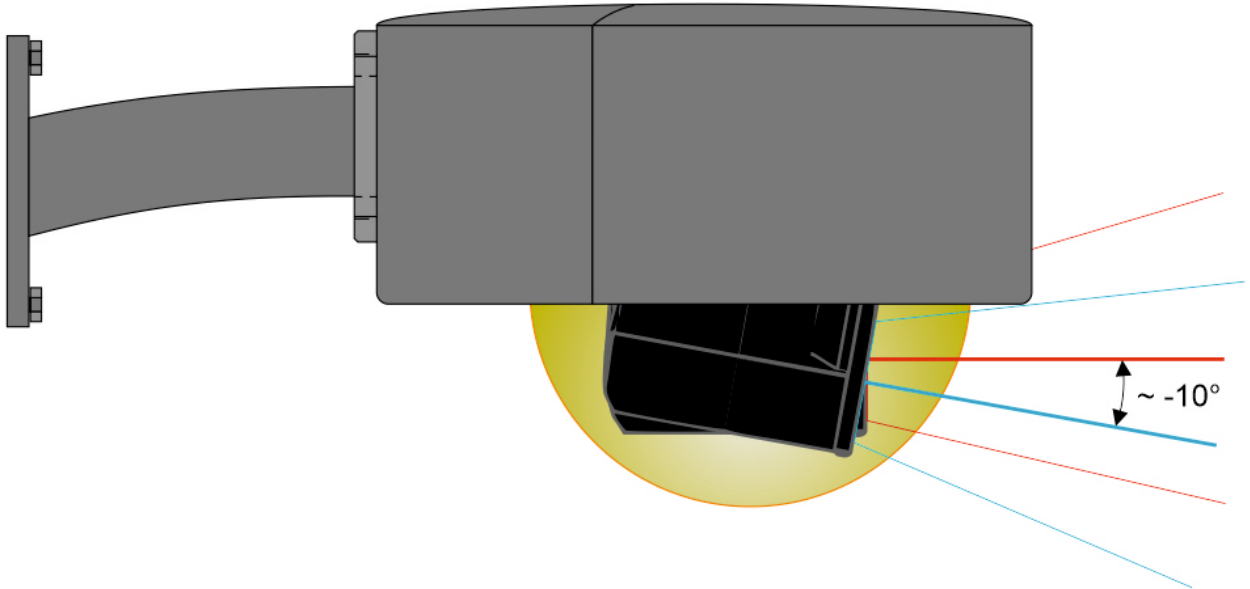


Heating situation (starting $\sim 7^{\circ}\text{C}$ internal system temperature)

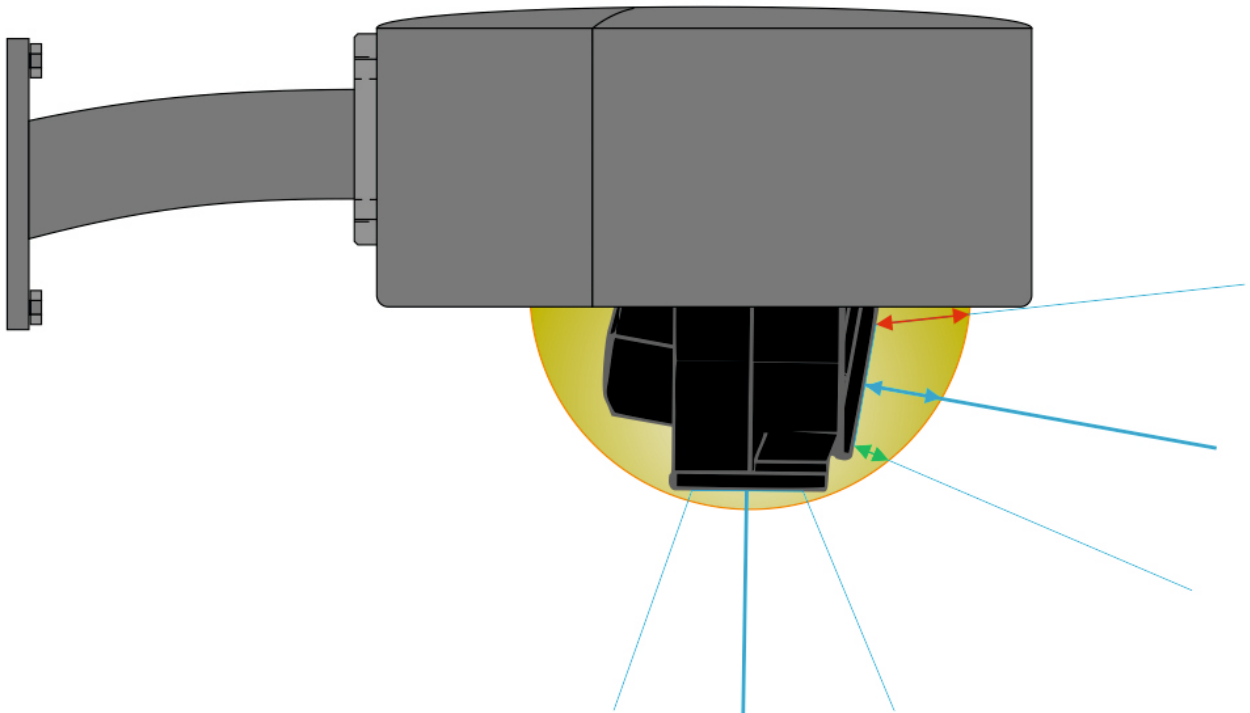




Limitations

The system is designed for use from an elevated mounting situation. Horizontal viewing angles over $\sim -10^\circ$ to 0° are restricted by the system if the camera is used in a wide angle shot.



Depending on the camera type, there may be restrictions on the maximum zoom usage, also the Focus-Function could be influenced by the glass-dome.



2020	Name	Gez.	Blatt: 1	von 1	Aust. Nr.: 1	Änderung / Ergänzung	Datum:	Gez.	Auftraggeber:
Gez.	Axel Moschkau	amo	Maßst.: ohne		1	Ersterstellung V0	15.02.20	amo	Panasonic Broadcast & ProAV Europe
Gepr.			Größe: A4		2	Anpassung neue Montagelösung	02.09.20	amo	
Genehm.					3				Zeichnungs Nr.:
					4				Projekt Nr.:
Bezeichnung:					5				KOMMUNIKATIONS- UND SICHERUNGS-TECHNIK  Am Burgholz 36 Tel: 02421/55890 52372 Kreuzau Fax: 02421/56086 Gewerbegebiet Stockheim www.kst-moschkau.eu info@kst-moschkau.eu
Technical Information					6				
					7				
KST-OH150series					8				
					9				
					10				