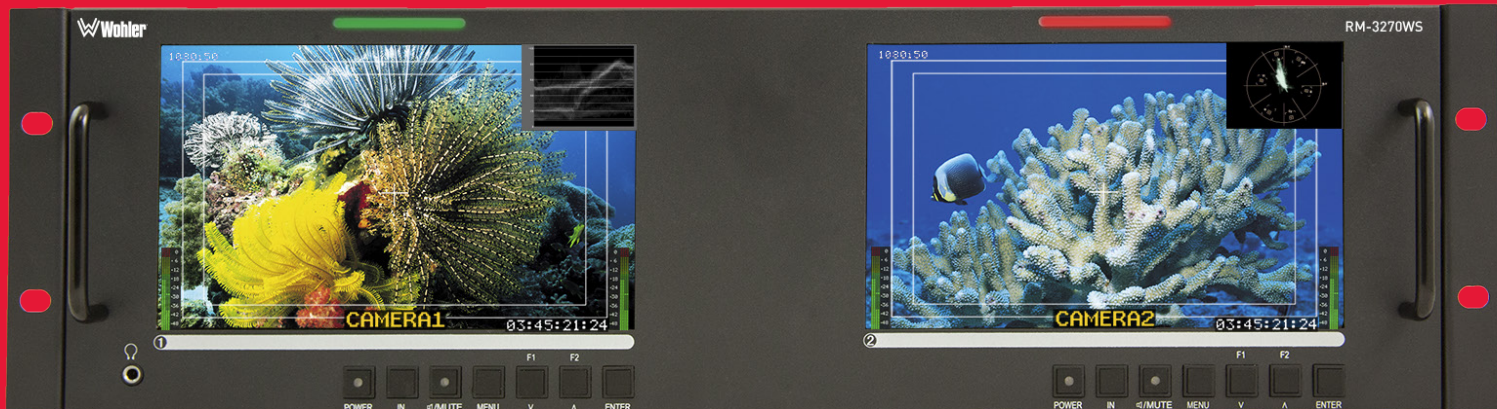


RM-3270WS-3G2

Dual 7" 3G/HD/SD-SDI Video Monitor



Full feature set, cost effective, reliable dual 7" video monitor with in-screen audio level meters, vectorscope, and waveform

The RM-3270WS-3G2 is a highly-featured, low-cost in-rack 3G/HD/SD-SDI and CVBS video monitor ideal for the many feeds in mobile trucks, news and transmission control rooms, duplication, and post production applications.

The RM-3270WS-3G2 come standard with in-monitor level metering, selectable video waveform and vectorscope, safe and title markers, labeling, tally, timecode, video format, and built-in color bars, and an intuitive on-screen configuration menu.

Input signals are automatically detected and up to 8 of the 16 audio channels embedded in an 3G/HD/SD-SDI bitstream may be selected for visual monitoring on 8 on-screen bar graph style level meters. A headphone jack or speakers provides audible stereo monitoring of selected left and right channels.

Each of the two high-resolution LCD screens display high-definition or standard-definition video at either 16:9 or 4:3 aspect ratio. Parameters are selected and adjusted using an on-screen display menu.

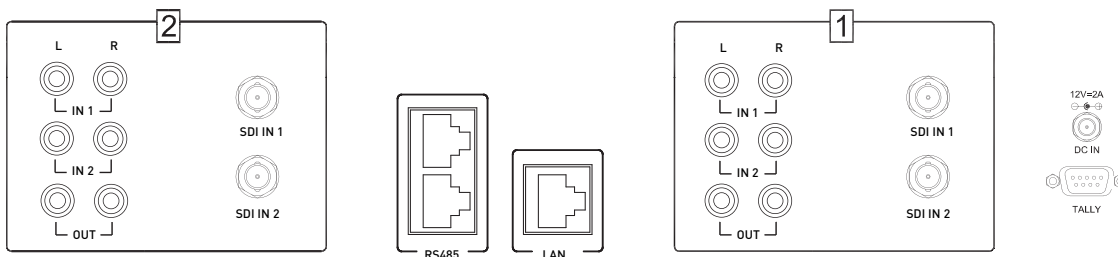
Features:

- Monitor 3G/HD/SD-SDI and analog composite video signals
- 1024 x 600 LCD displays
- Waveform and vectorscope display
- 16-channel in-picture level metering
- Closed caption detection and display
- Labelling, tally, timecode, detected video format, safe area and title markers display
- Headphone output
- Ethernet configuration and control

Order Part Numbers:

RM-3270WS-3G2: 8001-0176 (Dual Inputs)

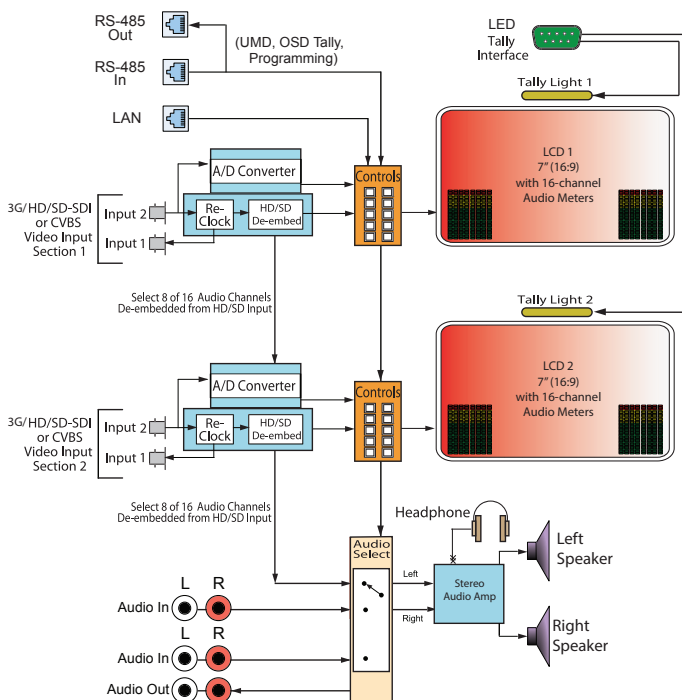
Rear Panel



RM-3270WS-3G2

Dual 7" 3G/HD/SD-SDI Video Monitor

Block Diagram



In-screen Features



Inputs

- 4 Auto-Sensing 3G/HD/SD-SDI Inputs (2 per screen)
- CVBS Inputs on BNC (1 per screen)
- 2 RCA Analog Audio Stereo Input Pairs (1 per screen)

Outputs

- 2 RCA Analog Audio Stereo Output Pairs (1 per screen)
- 1 Headphone

Specifications

Dimensions (H x W x D)	5.25" x 19.1" x 2.6" (133 mm x 486 mm x 67 mm)
Shipping Weight / Net Weight	9 lbs (4.1 kg) / 6 lbs (2.7 kg)
Space Requirements	3RU in a standard 19" rack
Accessories Included	AC power cord
Power Connector	AC power adapter (100-240VAC to 12 VDC)
Power Requirements	Power to the unit connects to mains power (100 to 240 VAC \pm 10%, 50/60Hz)
Power Consumption	10W
Display Type	Active color matrix amorphous 7", LCD TFT screens
Display Size	7" Diagonal
Aspect Ratio	16:9 native 4:3 selectable
Active Viewing Area	6" H x 3.46" V (152 mm H x 88 mm V)
Resolution	1024 x 600
Luminance	350 cd/m ²
Colors	16.7 million
Contrast	700:1
Pixel Pitch	0.1905 mm (H) X 0.1905mm (V)
Pixel response	<25 ms off-on-off (black to white to black)

[View complete list of specifications online at wohler.com](http://www.wohler.com)