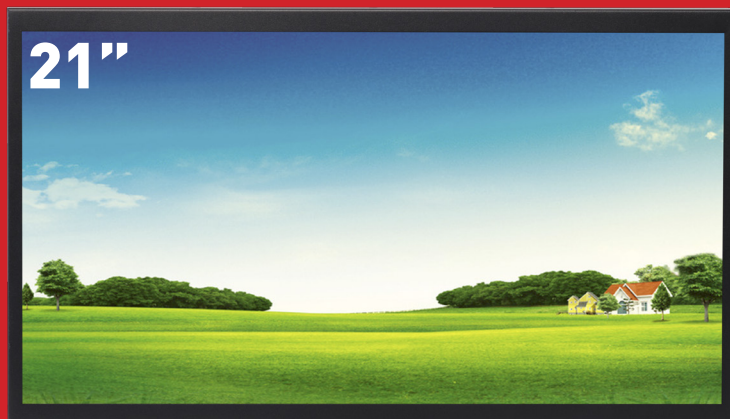
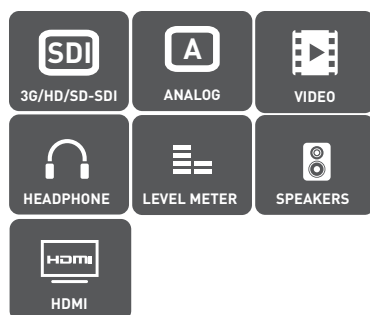


# HDM-215-3G

21" 3G/HD/SD-SDI / HDMI / Analog Video Monitor



10-bit dual split screen provides highest quality monitoring and in-screen audio level meters, vectorscope and waveform



The HDM Series dual split screen, LED-backlit LCD displays are high-performance professional monitors that support advanced 10-bit digital processing technology. These monitors feature 3D comb filter, de-interlace, accurate scaling engine, GAMMA correction and color temperature adjustment.

The HDM Series monitors can be configured as a dual split display, a large screen with one smaller view, or as a single large display screen. They are ideally suited for use in news and transmission control rooms, program production, channel branding and any environment that requires intensive monitoring.

The HDM Series accepts up to 2 channels of 3G/HD/SD-SDI, CVBS, Component signals or HDMI input. Waveform, vectorscope, and audio de-embedding are provided for SDI.

In-picture features also include metering of up to 16 channels, UMD, format display and various markers.

## Features/Benefits

- Simultaneously monitor two video sources and control each image independently
- Choose between two PIP sizes, PBP (side-by-side) or single full-screen views
- User-defined hot key functionality for either H/V delay, underscan, on-screen display
- On-screen, 16-channel level metering provides audio confidence monitoring
- Tally and on-screen labeling provide quick and easy signal identification
- CRT-style image controls allow video image enhancement for each screen individually
- Supports multi-format analog and digital audio signals
- Allows adjustment of the parameters for each screen
- Provides high-quality waveform or vector monitoring (for SDI)
- User-adjustable color temperatures with presets
- Ethernet, RS-485 and GPI control interfaces

## Part Numbers:

HDM-215-3G-TT 8001-0500

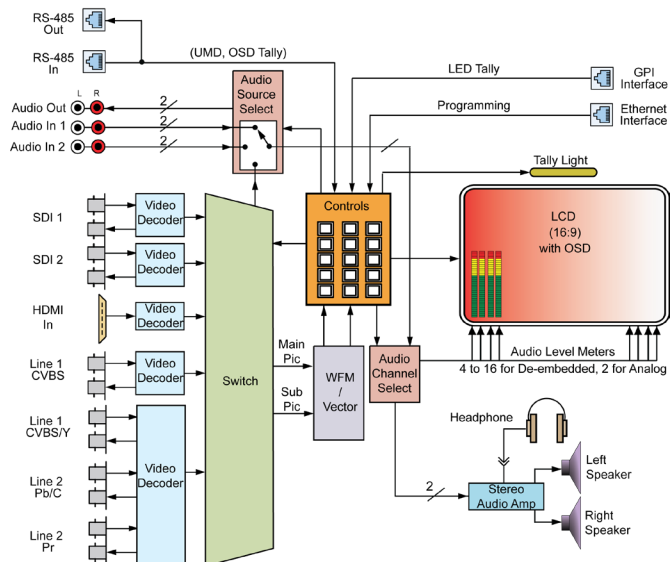
21" LCD Video Monitor, 3G/HD/SD-SDI/Composite/S-Video Component/HDMI, Dual Inputs, Analog Audio.

# HDM-215-3G

21" 3G/HD/SD-SDI / HDMI / Analog Video Monitor



## Rear Panel



## Specifications

Display Type	Active color matrix amorphous LCD IPS with LED Backlight
Display Size	18.5" H x 10.6" V (475 mm H x 267 mm V)
Resolution	1920 H x 1080 V
Aspect Ratio	16:9
Viewing Angle	178° x 178°
Luminance	300 cd/m2
Colors	10-Bit, 1.07 Billion
Contrast	600:1
Pixel Pitch (mm)	0.199 x 0.199
Input Signal Format	1080P50, 1080P60/59.94, 720P24/23.97, 720P25, 720P30/29.97, 720P50, 720P60/59.94, 1080SF24/23.97, 1035i60/59.94, 1080i50, 1080i60/59.94, 1080P24/23.97, 1080P25, 1080P30/29.97, 480i60/59.94, 576I50, 480P60/59.94, 576P50  HDMI Only: 1920x1200, 1920x1080, 1680x1050, 1600x1200, 1400x1050, 1440x900, 1360x768, 1280x1024, 1024x768, 800x600, 640x480
Audio	2 to 16 OSD meters, 16 channels SDI, 2 pairs analog. Select any embedded or analog pair to send to the speakers, headphones, and line out per menu for each video input.
Accessories	AC power adapter, Adjustable desktop stand included. Rack adapters optional.
Dimensions (W x H x D)	20.3" x 12.6" x 4.5" (515 mm x 320 mm x 114 mm)
Shipping Weight/ Net Weight	16 lbs. (7.3 kg)/13 lbs. (5.9 kg)
Power Connector	AC power adapter (100-240VAC to 12 VDC)
Power Requirements	AC power adapter connects to mains power (100 to 240 VAC ± 10%, 50/60Hz)
Power Consumption	60W